

# Transformer Bobbin Design

EFD20/10/6.6 Horizontal 5+5 BOBBIN



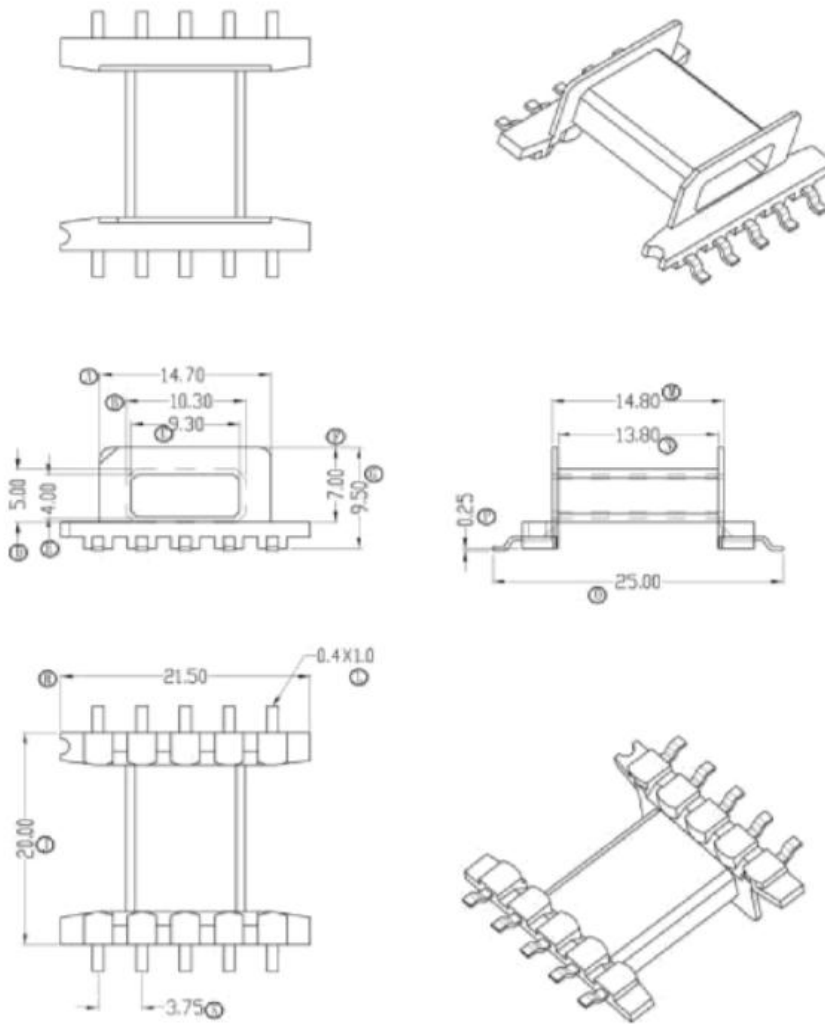
RoHS / RoHS II Compliant



EFD20/10/6.6 Horizontal 5+5 BOBBIN

- Material: phenolic
- Durable construction
- EFD Bobbin Cost: Relative low cost
- Bobbin EFD UL certificate
- Application: Switch power transformer, inductor coil, Filter, etc...
- More than 1,000 kinds of series, and it has a vertical, horizontal, straight pin, SMD and so on.
- 

## Product Size:



All material  
meet RoHS  
Standard

# JHCOILS

Shijie town, Dongguan, Guangdong | CN 523290 **Revised:**

Email. [info@jhcoils.com](mailto:info@jhcoils.com)

Visit [www.JHcoils.com](http://www.JHcoils.com) for more design

# Transformer Bobbin Design

EFD20/10/6.6 Horizontal 5+5 BOBBIN



RoHS / RoHS II Compliant



## STORAGE AND OPERATIONAL CONDITION:

### Storage condition

- Recommended storage conditions: -25°C~85°C, 70%RH (Max.)
- Service life: Within the limits of six month from being produced.
- The appearance and solder ability should be check, if product is not in expiry date.

### Operation Conditions

- Use condition limit: T=-25°C ~ 85°C, RH≤90%.

## NOTE:

- The parts are manufactured in accordance with this specification. If other conditions and specifications which are required, please contact us for more information.
  - We will supply the parts in accordance with this specification unless we receive a written request to modify prior to an order placement.
  - In no case shall JH be liable for any product failure from in appropriate handling or operation of the item beyond the scope of this specification.
  - When changing your production process, please notify us immediately.
- V) This drawings and specifications are the property of JHcoils .and shall not be reproduced or used as this the basis for the manufacture or sale of apparatus or devices without permission.

## CUSTOMED PRODUCTS

We can customize transformer bobbin your requirements. Email us: [info@jhcoils.com](mailto:info@jhcoils.com)

**ATTENTION:** The electronic component is designed and developed for usage in general electronic products only. This products are not specifically designed for Military, Aviation, Aerospace, Life-dependant Medical applications or any application requiring high reliability where component failure could result in loss of life and/or property. We shall not be liable for incidental or consequential damages of any kind.

All material  
meet RoHS  
Standard

# JHCOILS

Shijie town, Dongguan, Guangdong | CN 523290 **Revised:**  
Email. [info@jhcoils.com](mailto:info@jhcoils.com)  
Visit [www.JHcoils.com](http://www.JHcoils.com) for more design